



LUMINARIA ALUMBRADO PUBLICO SOLAR

LUMINARIA SOLAR SSL023



Aplicaciones

La gama de luminarias SSL023 poseen un panel foto voltaico integrado al equipo, con batería de Litio de alta capacidad, con controlador de carga y un sistema óptico de leds marca **PHILIPS**.

Incorpora un sensor de presencia infrarrojo para aumentar la autonomía de funcionamiento, reduciendo el nivel de iluminación.

Encendido automático cuando no se detecta la presencia de la luz.

Características técnicas

POTENCIA: 20W - 40W - 60W - 80W

COLOR DE LUZ: 2200K AMBAR - 6500K

OPTICA: TIPO II MEDIA

CRI: >70

RENDIMIENTO: 140 LUM/W

GRADO DE PROTECCIÓN: IP65

TEMPERATURA DE TRABAJO: -30°C — 70°C

INCLINACIÓN: -15° — 105°

IK: 08 - 09

CUERPO DE LUMINARIA: ALUMINIO

Código

Descripción

SSL023-20W	LUMINARIA SOLAR 20W 571x413x160mm
SSL023-40W	LUMINARIA SOLAR 40W 700x413x160mm
SSL023-60W	LUMINARIA SOLAR 60W 957x413x160mm
SSL023-80W	LUMINARIA SOLAR 80W 1215x413x160mm

ILUMINA LIMITADA

Carmen Covarrubias 680-A Ñuñoa

Teléfono: 222371651 / 222379124

www.zingg.cl

ilumina@zingg.cl

Whatsapp: +56954187903



LUMINARIA SOLAR SSL023



**Innovation
technology that
means 100%
energy savings in
any installation**

Description

Range of intelligent and autonomous solar LED luminaires. The luminaire integrates photovoltaic panel, high capacity Li-Ion battery, charge controller and LED optical group. LED optics. In addition, an infrared presence sensor is included to increase the autonomy autonomy by reducing the illumination level following a dimming curve, when no presence is detected. Automatic switch-on when no light is detected.

Easy mounting on any standard column, with a variable panel inclination in road models for a greater variable inclination of the panel in road models for a better use of sunlight.

Advantages

- 100% autonomous solar LED luminaire.
- High efficiency of the LED array.
- Integration of all components in a single product.
- Maximum respect for the respect for the environment.
- Economical, efficient and intelligent.
- Very easy installation with adaptation.



Optical characteristics

LED chip	Lumileds/Epistar
System efficiency	160LM/W
CRI	>70
L70B10 at 25°C	100,000h
Operating temperature	-20°C a +60°C
Type of optics	Type II Type III
Optical material	PC

Mechanical characteristics

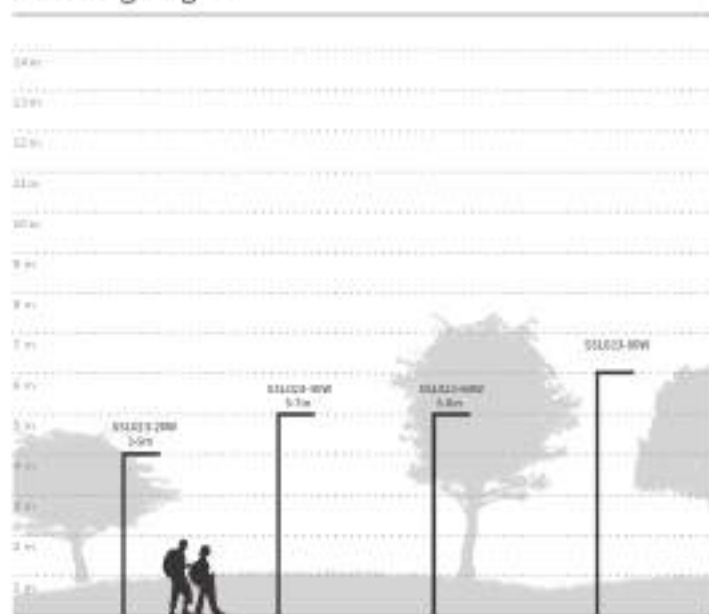
Housing	Aluminum
Fixing	Ø60mm
Angle of inclination	Adjustable (-15° to 105°)
LED Module	Interchangeable
Finishing color	1047,9/004
IP	IP65/66
IK	IK08/09

Electrical characteristics

Battery type	Li-ion
Charging time	6-8 hours (Strong sunshine)
Discharge time	10-30 hours (With detection)
Panel life	25 years
Charge/discharge protection	Yes
Method of detection	Infrared/Radar
ON/OFF switch	Integrated in luminaire

*The nominal charging time is calculated for a favorable solar irradiance of 1000W/m². This value varies depending on weather conditions.

Mounting heights



Orientation for maximum use of solar radiation.

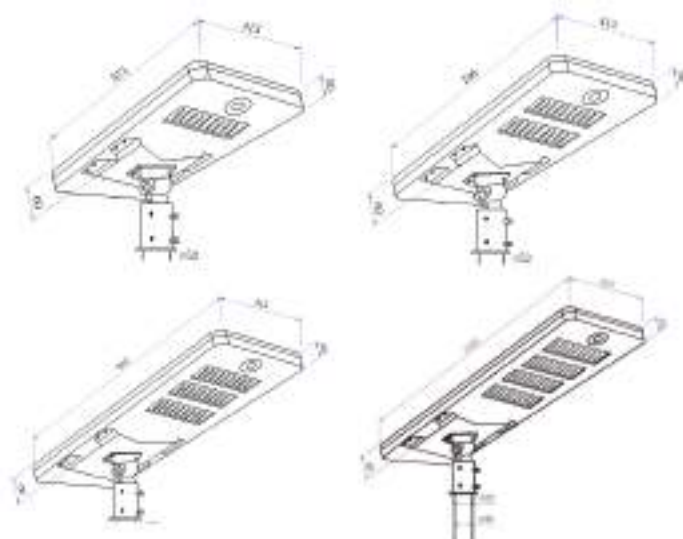


integrated LED group

Item No.	Solar Panel	Battery	LED	Mounting height	Space Between Light
SSL023-20W	8V 35W	3.2V 46AH	SMD 3030 64PCS	3-5M	10-20M
SSL023-40W	10V 45W	3.2V 60AH	SMD 3030 128PCS	5-7M	10-25M
SSL023-60W	14V 90W	6.4V 40AH	SMD 3030 192PCS	5-8M	10-25M
SSL023-80W	18V 85W	6.4V 64AH	SMD 3030 256PCS	6-10M	20-30M

Dimensiones

Panel	Length (mm)	Width (mm)	Height (mm)	Package weight (kg)
SSL023-20W	571	413	160	13
SSL023-40W	700	413	160	14.5
SSL023-60W	957	413	160	18
SSL023-80W	1215	413	160	25



Examples of photometric curves



The application for the photometric curves is indicative. The optics of this product can be used in multiple applications.

Light study example



