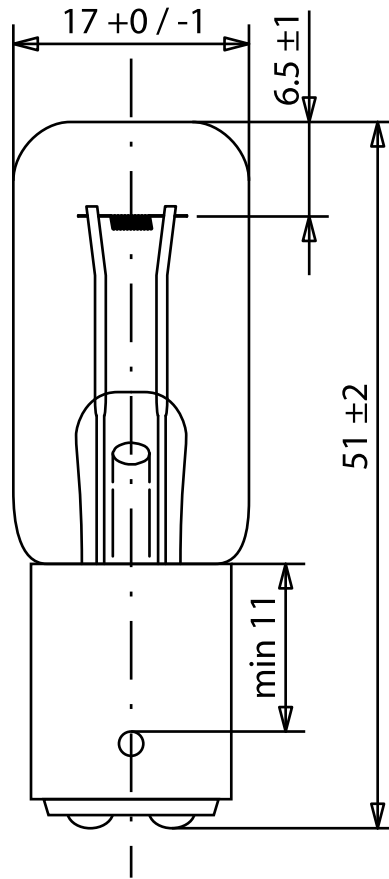


INDUSTRIAL SPECIALTY LIGHTING

Industrial medical - Datasheet



MEDICAL LAMPS - 6V 5A 30W BA15D DR. FISCHER 77904

PRODUCT NUMBER **302843424** []

Tol.

VOLTAGE	6	V	
WATTAGE	30	W	±15
LUMEN OUTPUT	400	LM	±10
LUMEN PRO WATT	13.3	LM/W	
AVERAGE LIFE	300	H	
BASE	BA15D	/	
REMARKS	77904		
BRAND	DR. FISCHER		



MEDICAL



ENTERTAINMENT



TRAFFIC



MARINE



RAILWAY



AIRFIELD



VARIOUS



TAILOR MADE



IR / UV



PROJECTION