

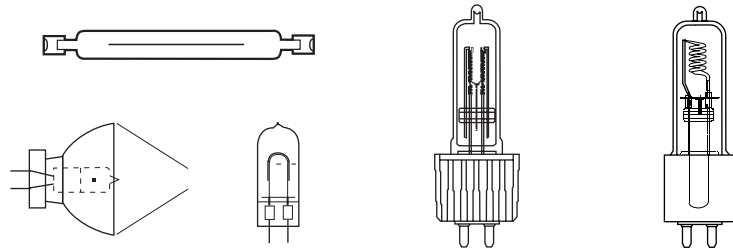
OSRAM BRAND PHOTO-OPTIC LIGHT SOURCES

Lighting to provide solutions in diverse applications such as effect lighting, stage, studio, TV, projection systems, microlithography, medical/scientific, industrial, and airfield/aircraft.

Photo-Optic Lamp Types

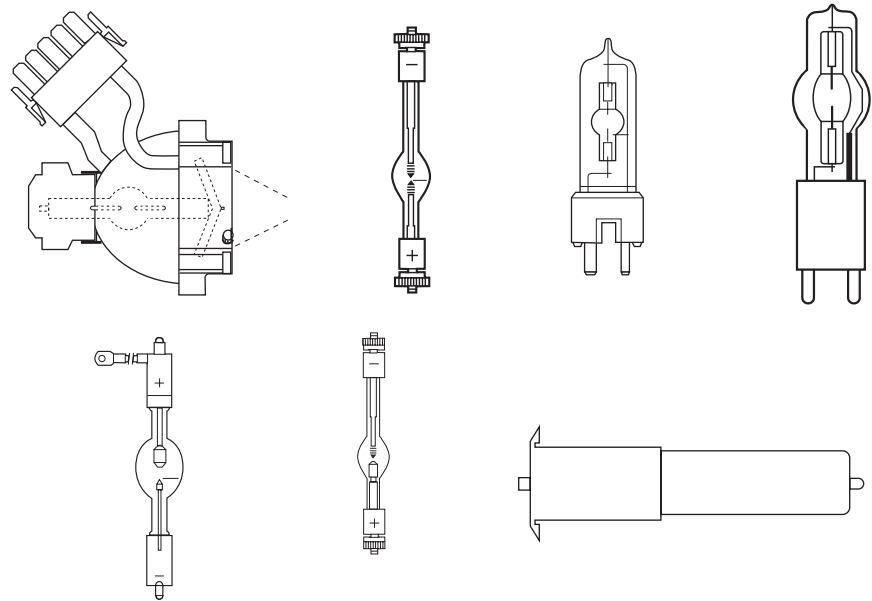
HALOGEN

Airfield/Aircraft
Audio Visual
Special Purpose Heat Lamps
Studio, Theatre, TV & Video
HPL
HPR™
OSRAM STUDIOLINE®



DISCHARGE

HBO®
HMD®
HMI®
HMP®
HSD®
HSR®
HTI®
LINEX®
VIP®
XBO®
XERADEX®



The following item was accepted into the 2003 IESNA Progress Report which recognizes innovative products introduced to the industry during that year.

LINEX Mercury-Free Xenon Fluorescent Systems

IMPORTANT! PHOTO-OPTIC WARNINGS

In accordance with ANSI/IESNA Standard RP-27, all Photo-Optic Discharge lamps are Risk Group 3 products, and all Photo-Optic Incandescent and Tungsten Halogen lamps are Risk Group 2 products.

Please read and understand the Safety and Warning Instructions for each lamp type before use. Safety and Warning Instructions can be found at the end of this Photo-Optic section.

STUDIO, THEATRE, TV & VIDEO

ANSI Code	Product Number	Ordering Abbreviation	Application	Watts	Volts	Base	Lumens	Avg Rated Life(hrs)	Bulb	Pkg Qty	Footnotes
EGR	54662	EGR	Stage & Studio	750	120	G22	20000	200	T7	12	
EGT	54664	EGT	Stage & Studio	1000	120	G22	27500	250	T6	12	
EGW	58637	EGW 64535	Stage & Studio	650	120	GX6.35	20000	15	T8	25	
EHC/EHB	54506	EHC/EHB	Stage & Studio	500	120	G9.5	13000	300	T4	12	
EHD	54508	EHD	Stage & Studio	500	120	G9.5	10600	2000	T4	12	
EHF	54510	EHF	Stage & Studio	750	120	G9.5	20400	300	T5	12	
EHG	54512	EHG	Stage & Studio	750	120	G9.5	15400	2000	T5	12	
EHP	58942	EHP	Stage & Studio	300	120	R7s	5000	2500	T4	12	
EHR	58936	EHR	Stage & Studio	400	120	R7s	7500	2000	T4	12	
EHZ	54550	EHZ	Stage & Studio	300	120	R7s	5900	2000	T2.5	12	14
EJG	54598	EJG	Stage & Studio	750	120	R7s	20600	400	T3	12	
EKB	54837	EKB	Stage & Studio	420	120	GZ9.5	11000	75	T6	24	
FAD	54574	FAD	Stage & Studio	650	120	R7s	16500	100	T4	12	
FAL	58860	FAL	Projector, Stage & Studio	420	120	R7s	11000	75	T4	24	14
FCB	54483	FCB	Projector, Stage & Studio	600	120	R7s	16500	75	T4	24	
FCM	54442	FCM	Stage & Studio	1000	120	R7s	28000	400	T3	12	
FDA	54471	FDA	Stage & Studio	400	120	R7s	10400	250	T4	12	14
FDB	54435	FDB	Stage & Studio	1500	120	R7s	41200	400	T4	12	
FDN	54534	FDN	Stage & Studio	500	120	R7s	12800	400	T2.5	12	
FEL	54570	FEL	Stage & Studio	1000	120	G9.5	27500	300	T6	12	
FEP/220	54636	FEP/220	Stage & Studio	1000	220	G9.5	23000	150	T6	12	
FEP/240	54515	FEP/240	Stage & Studio	1000	240	G9.5	23000	150	T6	12	15
FER	54571	FER	Stage & Studio	1000	120	RX7s	27500	500	T6	12	
FEV	54441	FEV	Stage & Studio	200	120	BA15d	5500	50	T4	12	
FEX/230	54514	FEX/230 64781	Stage & Studio	2000	230	RX7s	50000	300	T8	12	12
FEX/240	54518	FEX/240 64781	Stage & Studio	2000	240	RX7s	50000	300	T8	12	
FEY	54559	FEY	Stage & Studio	2000	120	RX7s	57400	400	T8	12	
FFJ	54488	FFJ	Stage & Studio	600	120	R7s	16500	75	T4	24	14
FFM	58862	FFM	Stage & Studio	420	120	R7s	11000	75	T4	24	14
FFT	54350	FFT	Stage & Studio	1000	120	R7s	27000	300	T3	12	
FHM	54532	FHM	Stage & Studio	1000	120	R7s	27300	300	T3	12	
FKW	54711	FKW	Stage & Studio	300	120	GY9.5	7800	200	T6	24	
FLK	54589	FLK	Stage & Studio	575	115	G9.5	16500	300	T5	12	16
FMR	54412	FMR	Stage & Studio	600	120	GY9.5	12500	2000	T5	24	
FRG	54629	FRG	Stage & Studio	500	120	GY9.5	13000	150	T6	24	
FRK	54631	FRK	Stage & Studio	650	120	GY9.5	16900	200	T6	24	
FSH	54436	FSH	Projector, Stage & Studio	125	120	G5.3	2500	200	T3	24	
FTK	54875	FTK	Stage & Studio	500	120	GY9.5	12000	200	T6	24	
FVL	54459	FVL	Stage & Studio	200	120	GX5.3	5200	200	T4	24	
FVM	54434	FVM	Stage & Studio	105	120	GX5.3	2250	250	T4	24	
GCA	54428	GCA	Projector - Video, Studio	250	120	G5.3	5700	200	T3	24	