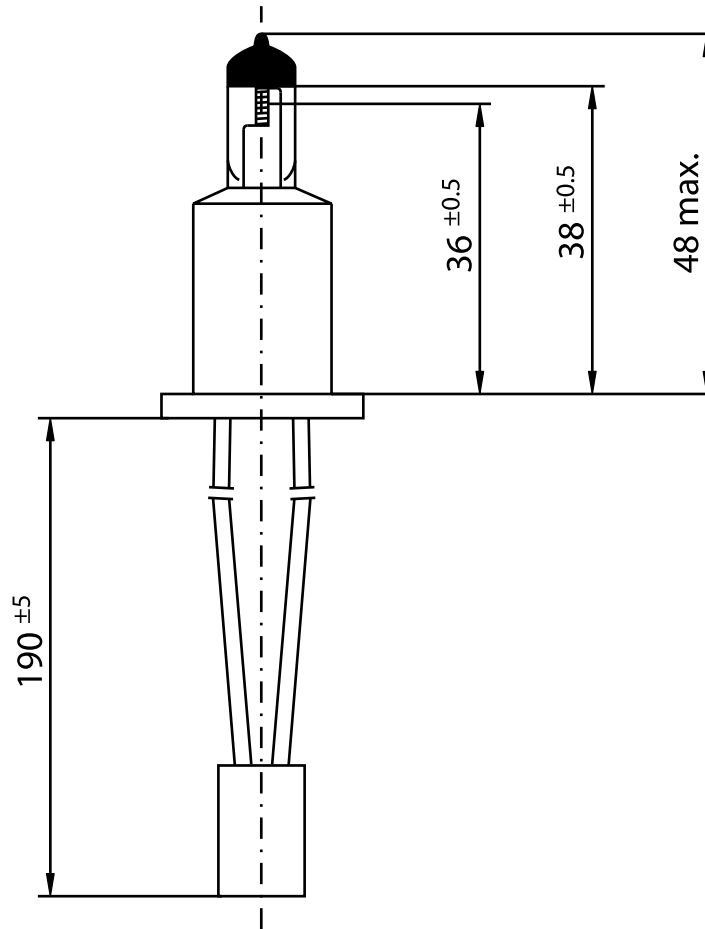


INDUSTRIAL SPECIALTY LIGHTING

Industrial medical - Datasheet



MEDICAL LAMPS - 24V 50W SPECIAL BLUE 30

PRODUCT NUMBER **302936930** []

Tol.

VOLTAGE	24	V	
WATTAGE	50	W	
LUMEN OUTPUT	1225	LM	±15
LUMEN PRO WATT	22.7	LM/W	
AVERAGE LIFE	600	H	
BASE	SPECIAL	/	
REMARKS	BLUE 30		
BRAND	DR. FISCHER		

FOR INFORMATIONAL PURPOSES ONLY. SIL INT. BV. DISCLAIMS ALL WARRANTIES WITHOUT LIMITATION. INFORMATION MIGHT BE SUBJECT TO CHANGE.



MEDICAL



ENTERTAINMENT



TRAFFIC



MARINE



RAILWAY



AIRFIELD



VARIOUS



TAILOR MADE



IR / UV



PROJECTION



Special industrial Lighting
Ruysdaelbaan 3F
5642 JJ Eindhoven
The Netherlands

Tel : + 31 40 2868 913
Fax : + 31 40 2868 207
Website: www.sillamps.com
Email : silint@special.nl