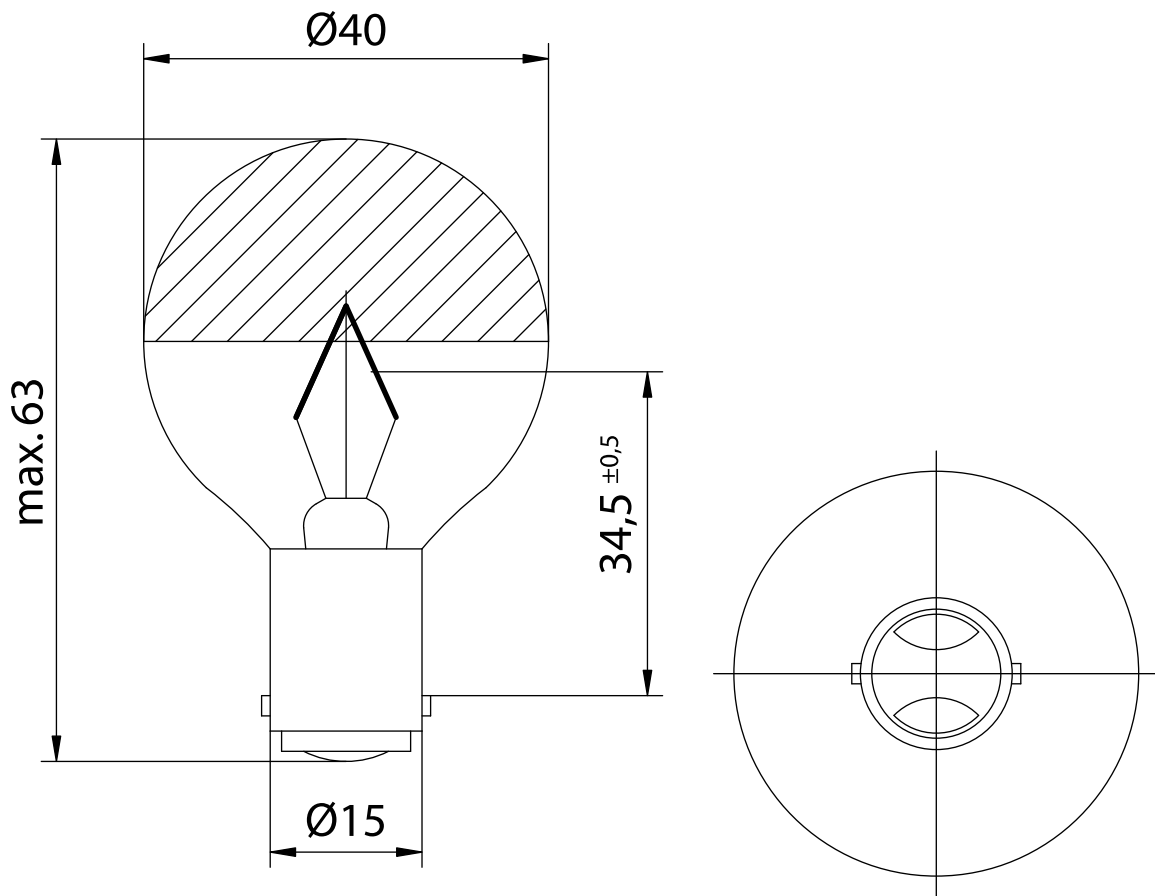


INDUSTRIAL SPECIALTY LIGHTING

Industrial medical - Datasheet



MEDICAL LAMPS - 110V 30W BA15D DR. FISCHER H016170

PRODUCT NUMBER **302936030** []

Tol.

VOLTAGE	110	V	
WATTAGE	30	W	±8
LUMEN OUTPUT	280	LM	±10
LUMEN PRO WATT	9.3	LM/W	
AVERAGE LIFE	600	H	
BASE	BA15D	/	
REMARKS	H016170		
BRAND	DR. FISCHER		



MEDICAL



ENTERTAINMENT



TRAFFIC



MARINE



RAILWAY



AIRFIELD



VARIOUS



TAILOR MADE



IR / UV



PROJECTION